



• ED4015 Series.

DC Brushless fan.

Size: 40 x 40 x 15 mm

1.6 x 0.6 Inches.

Airflow: Max.18.4CFM /0.5 m3/min

Plastic Impeller / Plastic Frame.

Model No.	Rated Voltage	Voltage Range	Input Power	Rated Current	Ref Speed	Max. Airflow		Max. Static Pressure		Noise Level	PQ Curves
	VDC	VDC	Watt	Amp	RPM	CFM	m3/min	Inch/H2O	mm/H2O	dB (A)	
ED4015-05SH**	5	4~7	2.1	0.42	10000	16	0.5	0.65	16.51	35	3
ED4015-05HHH**	5	4~7	1.1	0.22	9000	13.2	0.4	0.45	11.68	30	4
ED4015-05HH**	5	4~7	0.6	0.12	7000	12	0.3	0.39	9.91	24	5
ED4015-12EH**	12	7~13.2	3.84	0.32	15000	18.4	0.5	0.87	22.1	52	1
ED4015-12SHH**	12	7~13.2	3.84	0.32	13000	17	0.5	0.75	19.5	45	2
ED4015-12SH**	12	7~13.2	2.16	0.18	10000	16	0.5	0.65	16.51	35	3
ED4015-12HHH**	12	7~13.2	1.80	0.15	9000	13.2	0.4	0.46	11.68	30	4
ED4015-12HH**	12	7~13.2	1.44	0.12	7000	12	0.3	0.39	9.91	24	5
ED4015-12H**	12	7~13.2	0.84	0.07	5000	10.8	0.3	0.31	7.87	21	6
ED4015-12M**	12	7~13.2	0.72	0.06	4000	8.5	0.2	0.19	4.83	20	7
ED4015-24EH**	24	14~26.4	5.28	0.22	15000	18.4	0.5	0.87	22.1	52	1
ED4015-24SHH**	24	14~26.4	4.56	0.19	13000	17	0.5	0.75	19.65	45	2
ED4015-24SH**	24	14~26.4	4.08	0.17	10000	16	0.5	0.65	16.51	35	3
ED4015-24HHH**	24	14~26.4	2.88	0.12	9000	13.2	0.4	0.45	11.68	30	4
ED4015-24HH**	24	14~26.4	2.16	0.09	7000	12	0.3	0.39	9.91	24	5
ED4015-24H**	24	14~26.4	1.68	0.07	5000	10.8	0.3	0.31	7.87	21	6
ED4015-24M**	24	14~26.4	1.44	0.06	4000	8.5	0.2	0.19	4.83	20	7

** = "BL" for wire lead type Ball bearing Type.

-We reserve the right to change data and improve electrical & mechanical design without notice. data tolerance +10%

Motor

Motor Type: Brushless DC Motor, auto cutoff, auto restart optional only

Burnout Protection: Electronically protected, polarity protected

IP Protection: Ratings on request

Mechanical

Frame: Glass fiber reinforced thermoplastic, rated UL94V-0

Impeller: 7 blades, glass fiber reinforced plastic, rated UL94V-0

Bearing: Two ball bearings

Rotation: CCW seen on rotor

Connection: Wire lead

Weight: 25 g (0.05 Lbs)

Electrical

Dielectric Strength: 500 VAC/min. Max leakage 500mA

Speed Control: -

Signal Output: Optional:R/D alarm output, tachometer output F/G

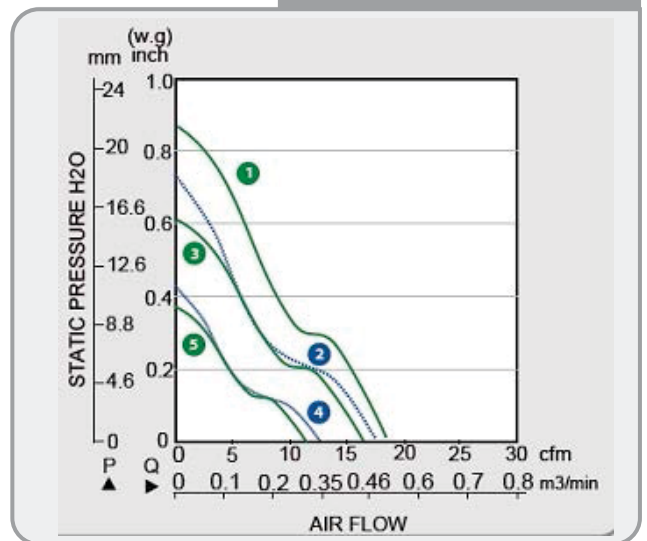
Environment

Operating Temp: Ambient non-condensing -15°C~+65°C

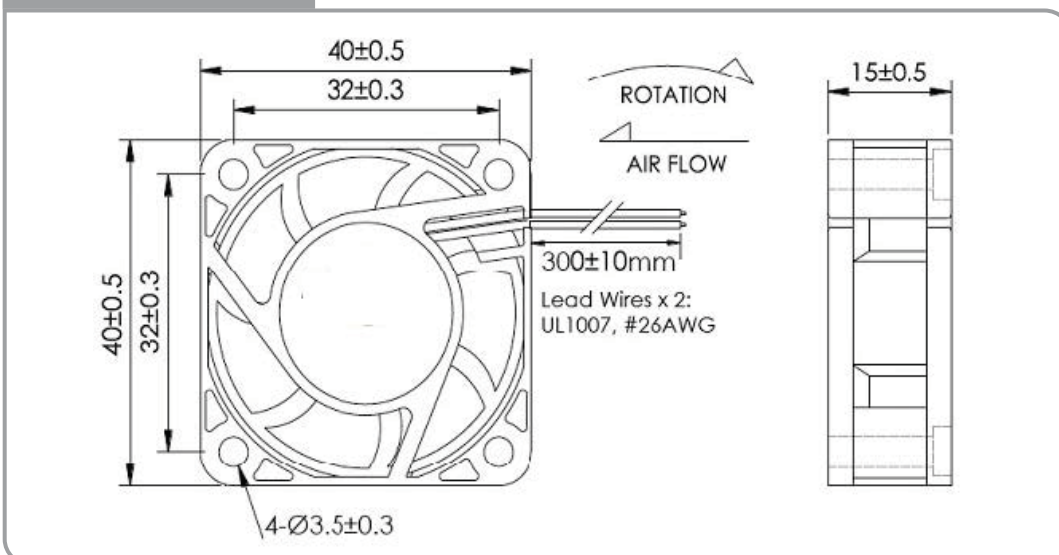
Storage Temp: -25°C~+80°C (at 65%RH)

Life Expectancy: L10 60K hours at 45°C, 50K hours at 60°C

▶ Performance P-Q Curves.



▶ Outline Dimensions.



Fan Accessories



Metal Fan Guards



Plastic Fan Guards



Plastic Fan Filter